

System	T103B (Tripod) + BR-6B (Mid-level spreader) + FP-3B (Large rubber feet)		
Payload	90 kg / 198 lb	Ball diameter	φ 100 mm
Weight	7.4 kg / 16.3 lb	Section	2STAGE
Height	① H: 1720 mm W: 910 mm (※Reference)	Tripod fixation	Fixing lock knob
	② H: 780 mm W: 680 mm (")	Spreader	BR-6B (Telescopic, Removable)
Folded length	③ L: 835mm (")	Material	Aluminum pipe, Aluminum alloy, Engineering plastic

Remarks

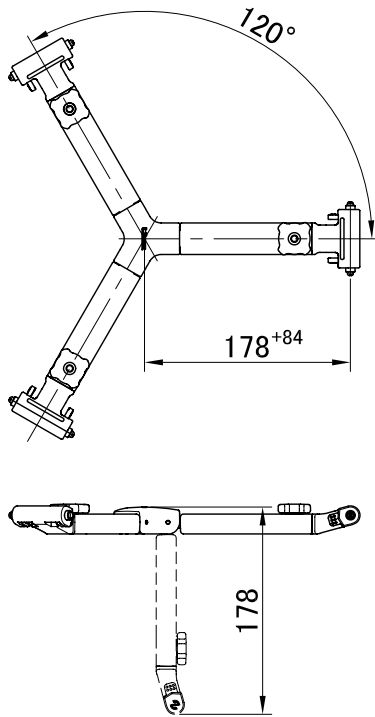
Outside diameter of pipe

Upper: φ 24 / Middle: φ 24 / Lower : φ 20

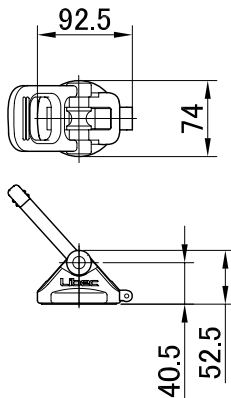
■ Exterior Dimensions (mm)

■ BR-6B

■ T103B

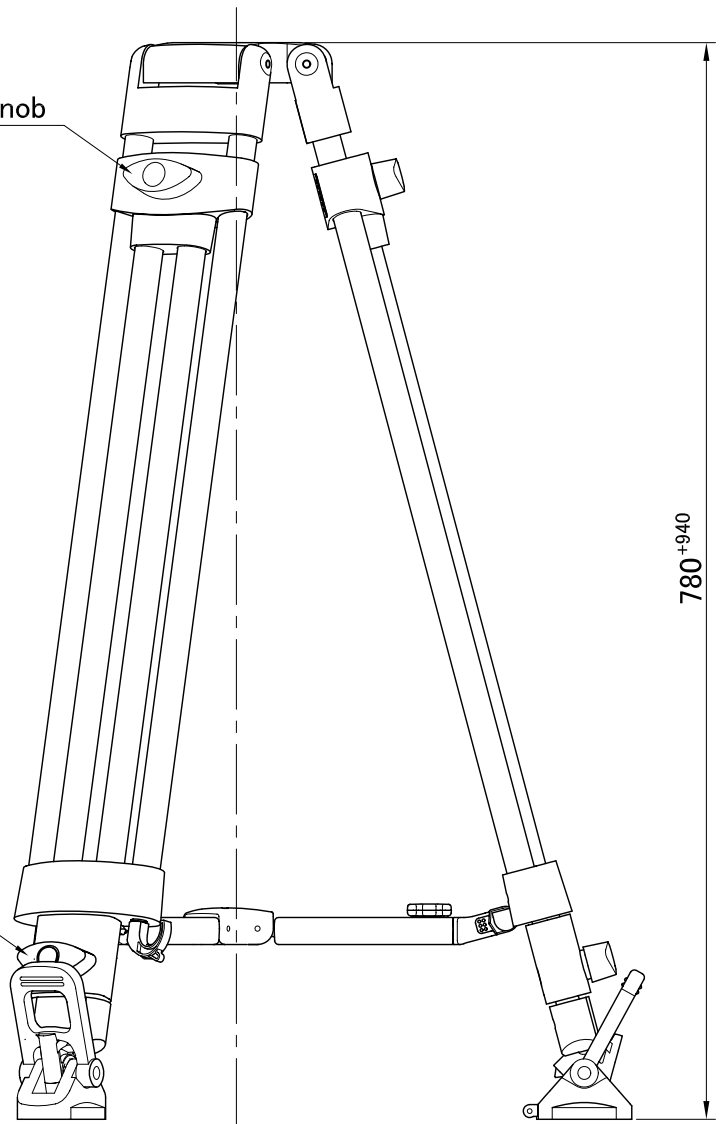


■ FP-3B



Upper lock knob

Lower lock knob



※: 参照図

