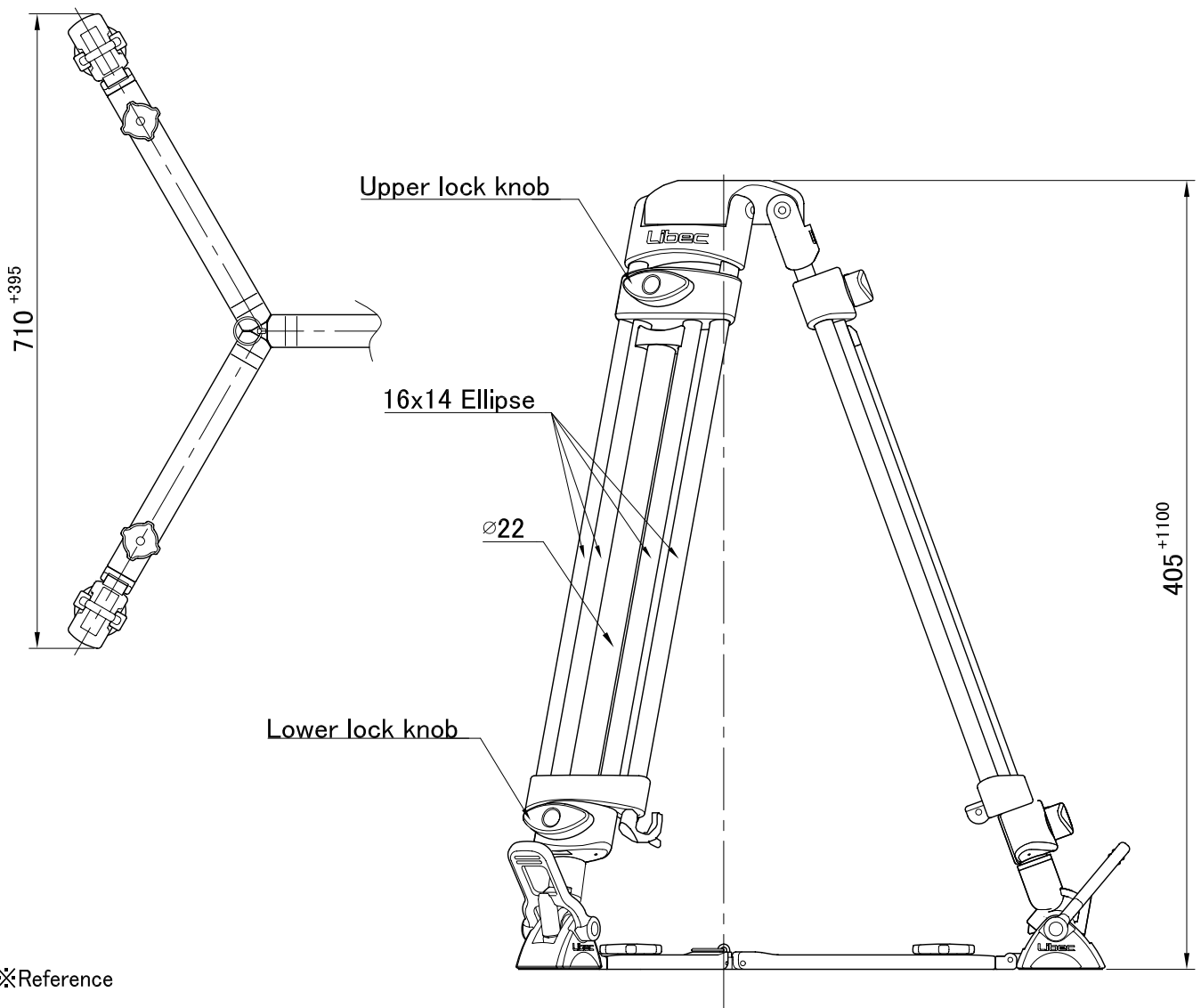


System	RT30B ( Tripod ) + SP-2B ( Floor spreader )		
Payload	25 kg / 55 lb	Ball diameter	φ 75 mm
Weight	3.5 kg / 7.7 lb	Section	2STAGE
Height	① H : 1505 mm W : 710mm ( ※Reference )	Tripod fixation	Fixing lock knob
	② H : 405 mm W : 1105mm ( " )	Spreader	SP-2B
Folded length	③ L : 700mm ( " )	Material	Aluminum alloy, Engineering plastic

### Remarks

#### ■ Exterior Dimensions (mm)

#### ■ SP-2B



※Reference

