

Tripod Strap

#8674

#8676

#8677

#8690



Copyright © 2015

All rights reserved.

Original Instructions: English

All rights reserved throughout the world. No part of this document may be stored in a retrieval system, transmitted, copied or reproduced in any way, including, but not limited to, photocopy, photograph, magnetic or other record without the prior agreement and permission in writing of the Vitec Group Plc.

Disclaimer

The information contained in this user guide is believed to be correct at the time of printing. Vitec Videocom Ltd reserves the right to make changes to the information or specifications without obligation to notify any person of such revision or changes. Changes will be incorporated in new versions of the publication.

We are making every effort to ensure that our manuals are updated on a regular basis to reflect changes to product specifications and features. Should this manual not contain information on the core functionality of your product, please let us

know. You may be able to access the latest revision of this guide from our website.

Vitec Videocom Ltd reserves the right to make changes to product design and functionality without notification.

Trademarks

All product trademarks and registered trademarks are the property of The Vitec Group Plc.

All other trademarks and registered trademarks are the property of their respective companies.

Published by:

Vitec Videocom Ltd
Supports Technical Publications Department
Western Way, Bury St Edmunds
Suffolk IP33 3TB
United Kingdom
Email: technical.publications@vitecgroup.com

Safety/Sicherheit	2
Compatibility/Kompatibilität	3
Configuration/Konfiguration	4
Kit Contents/Kit-Inhalt	5
Parts Fitting/Teile Montage	6
ENG	6
ACE	8
75 HD	10
Strap Fitting/Montage Tragegurt	12



Do not carry with the camera attached.
Nicht mit der Kamera angebracht tragen.



Risk of finger trapping.
Klemm- und Quetschgefahr.







Refer to the appropriate tripod manual for additional safety instructions.
Zusätzliche Sicherheitshinweise finden Sie im Handbuch Stative.

Compatibility/Kompatibilität

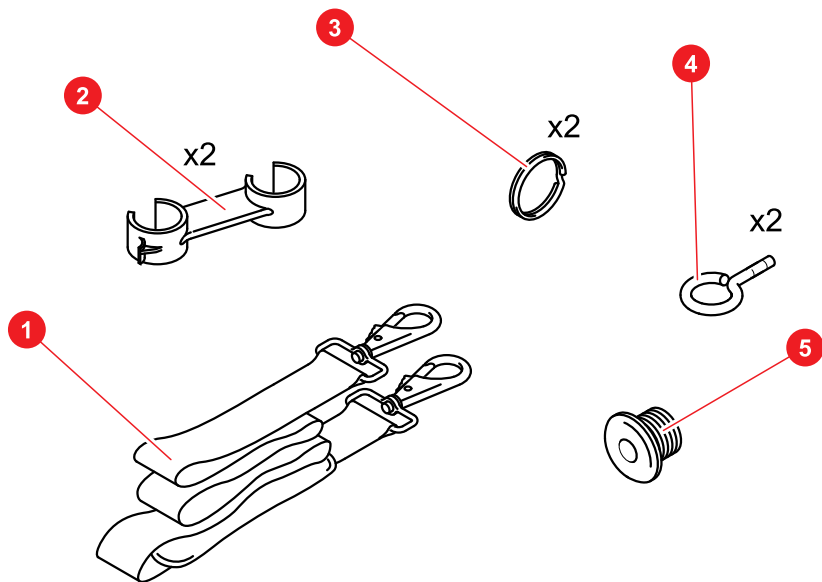
The tripod strap can be fitted to various tripods, please see below for your model.

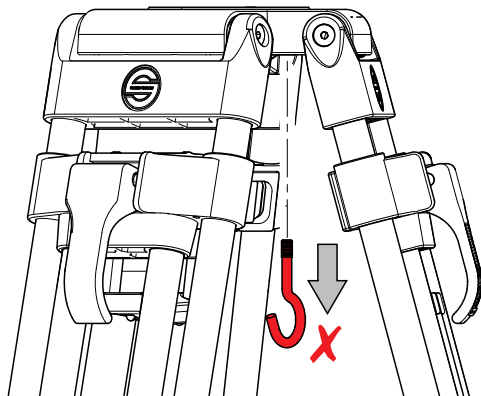
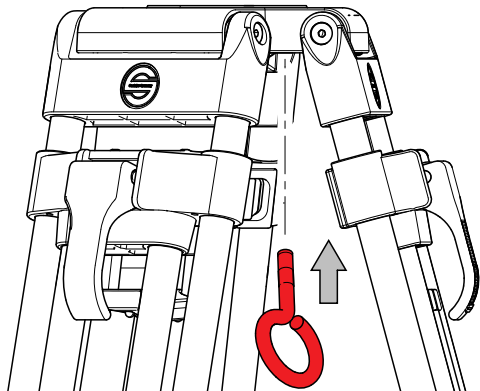
Der Tragegurt kann an verschiedenen Stativen montiert werden, siehe unten für Ihr Modell.

Tripod Variant	Kit No	Tripod Model	Product Number
	#8690	ENG 2-stage	#5586,#5386,#5186
		Hotpod	#5385/14,#5385/10
		EFP 2-stage	#6386,#6186,#6386
		DA 150	#6157,#6192
	#8677	ACE M	#1001,#1002
		ACE L	#1011,#1012
	#8674	ENG 75/2 D HD	#S2034-0001
	#8676	Speedlock 75CF	#4589,#4588

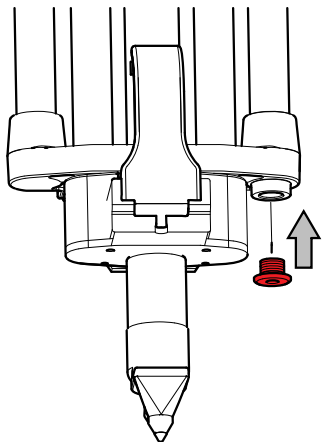
Configuration/Konfiguration

	①	②	③	④	⑤
	SST13E0176	S2155-2015	DH00090020	DH12430527	SST13E0175
ENG	✓	✗	✗	✓	✓
ace	✓	✓	✓	✗	✗
75 HD	✓	✗	✓	✓	✗
SL 75	✓	✗	✗	✗	✗

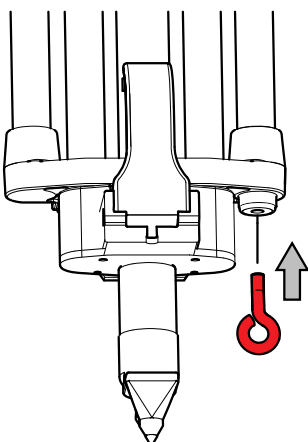


1**2**

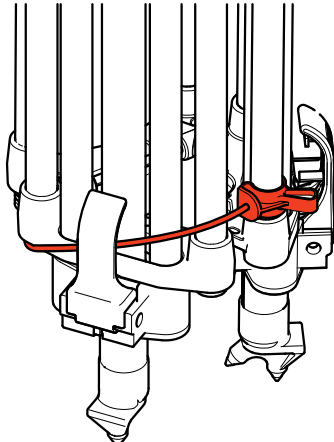
3



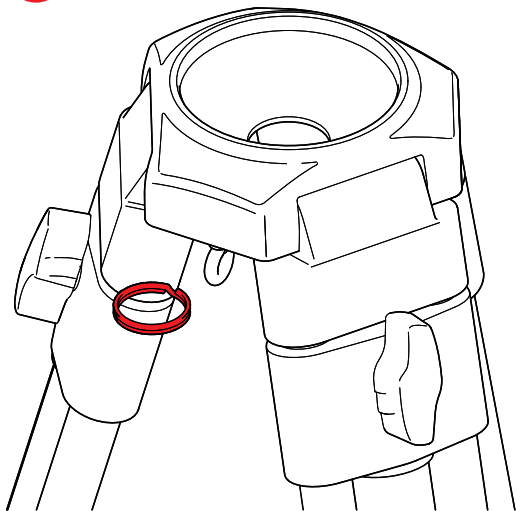
4



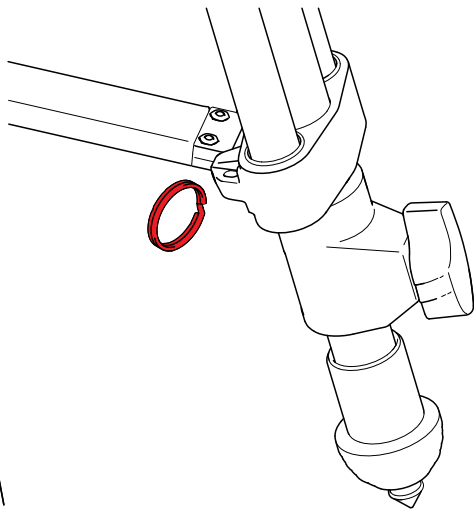
5



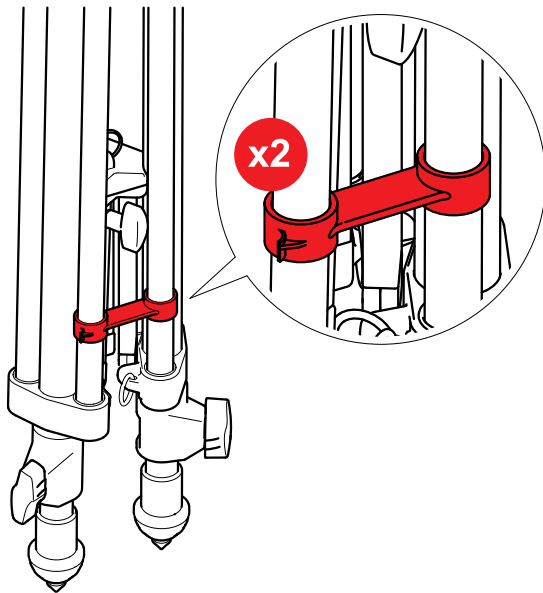
1

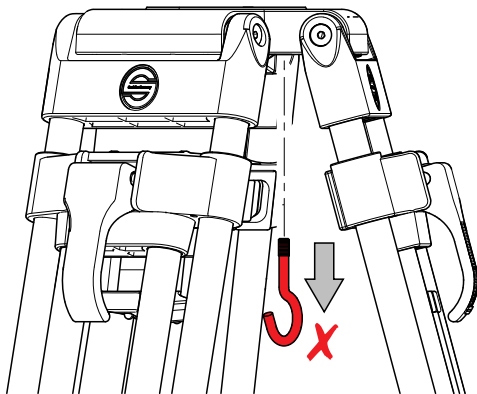
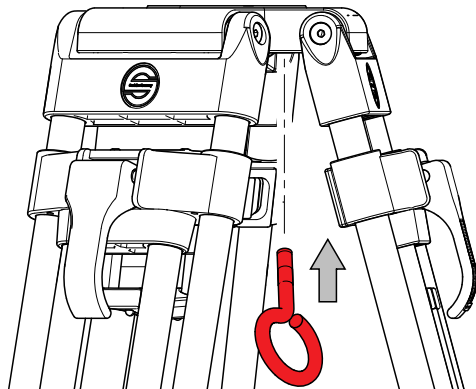


2

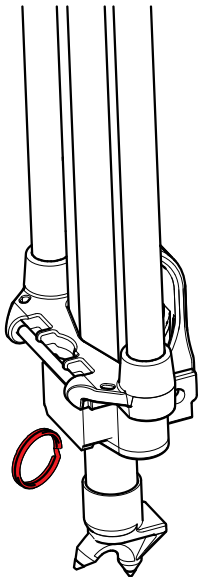


3

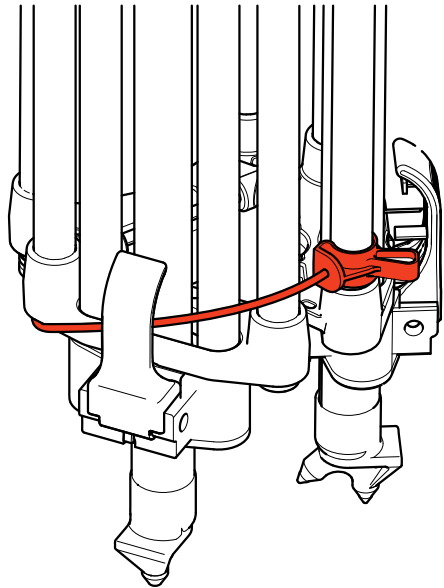


1**2**

3

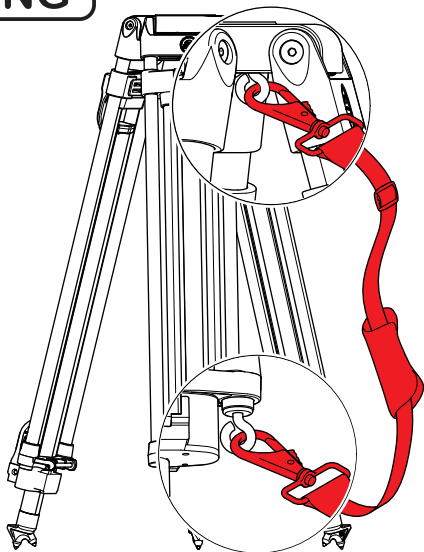


4

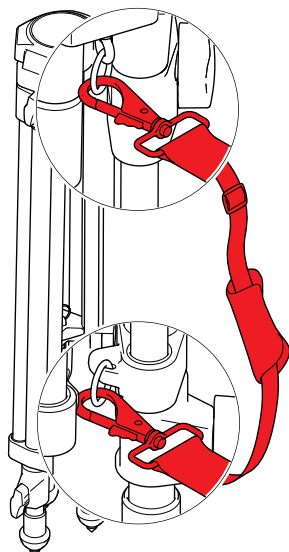


Strap Fitting/Montage Tragegurt

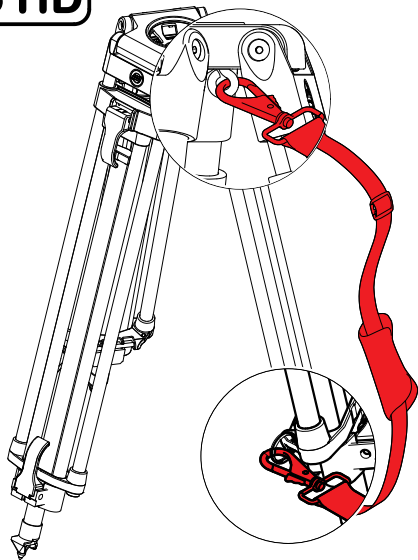
ENG



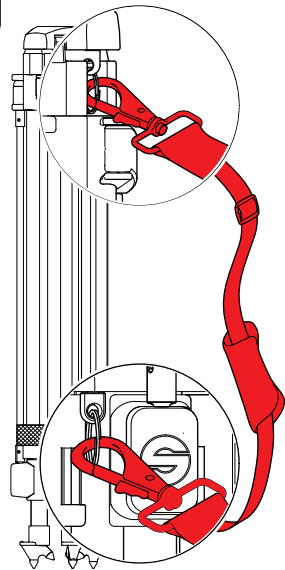
ace



75 HD



SL 75



Publication No. S2034-4981/2

sachtler 

 **Sachtler™**
A Vitec Group brand



www.sachtler.com