



Additional Versions
KST-HE60 (AW-HE60)
KST-HE130 (AW-HE130)



Modular Outdoor-System-Housing for Panasonic AW-UE70/HE40 Camera-Series.

Protection Class IP 64
Temperature range :
Standard version -20°C to +40°C
Advanced version -40°C to +60°C

KST-HE40/UE70 outdoor System V2.0 + AW-HE40/UE70

Modular outdoor housing for Panasonic AW-UE70 or AW-HE40 Camera Systems, including heating- and ventilation-system, Protection Class IP66. Available with transparent or smoked dome.

- ▶ Protection Class IP64 standard
- ▶ Keeps camera-, lens- and P/T system clean and dry
- ▶ Temperature range between -20°C and +40°C assured by active heating and ventilation
- ▶ Expanded temperature range between -40°C and +60°C by additional, enhanced heating and ventilation
- ▶ Maximum protection against environmental influences such as dust, smog, salt, moisture and insects
- ▶ Air- in- and out-take protected by dust- and insect-filter
- ▶ Available with transparent and smoked dome

- ▶ Available in configurations with HD SDI and HDMI output, IP streaming and POE supply of camera module and system temperature conditioning
- ▶ Power-connection : 230 VAC, alt. 12 VDC or POE
- ▶ Signal-connection : SDI/HDSDI out (or HDMI), optional CVBS out, Genlock in, LAN
- ▶ Remote-connection : LAN, optional RS422
- ▶ Length of the cable-set : 2,5 m from mountingbase (optional special lengths, connectors in bracket or junction boxes for outdoor installation)

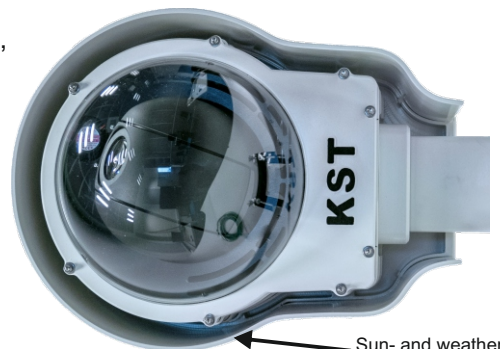
OPTION :

- ▶ Wall bracket fitted with ceiling, pole mount or special mounts if requested (Page 2)
- ▶ Integrated Fibre Transmission
- ▶ Available with AW-HEA10 Assist-Camera



Air intake with protective filter

Modular construction for extension by optional modules



Modular construction for extension by optional modules (for example, fiber optic Transm. or Assist Cam.)

Sun- and weather protection-shield



High-Res-Dome

Mounting-Solutions

Standard- Wallmount DBH06

The wall mount DBH06, made of aluminum, serves as a base for special mounting adapters shown below. The connecting cables of the camera system are hidden and protected by the arm.

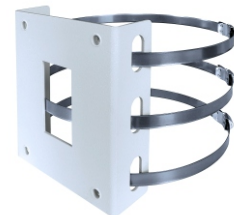
Load capacity up to 25kg



Pole-Mount-Adapter DBHWGC

The pole mount adapter DBHWGC is combined with the wall bracket DBH06. It allows the installation of the system on poles with diameters of 210mm-225mm.

Load capacity up to 25kg



Pole-Mount-Adapter PTCC1

The pole mount adapter PTC1 is combined with the wall bracket DBH06. It allows the installation of this system on poles with diameters of 80mm-150mm. It is possible to mount 2 DBH06 opposite.

Load capacity up to 50kg



Edge-Mount-Adapter WCWGC

The corner mounting adapter WCWGC is combined with the wall bracket DBH06. It allows the installation of the system on building corners.

Load capacity up to 50kg



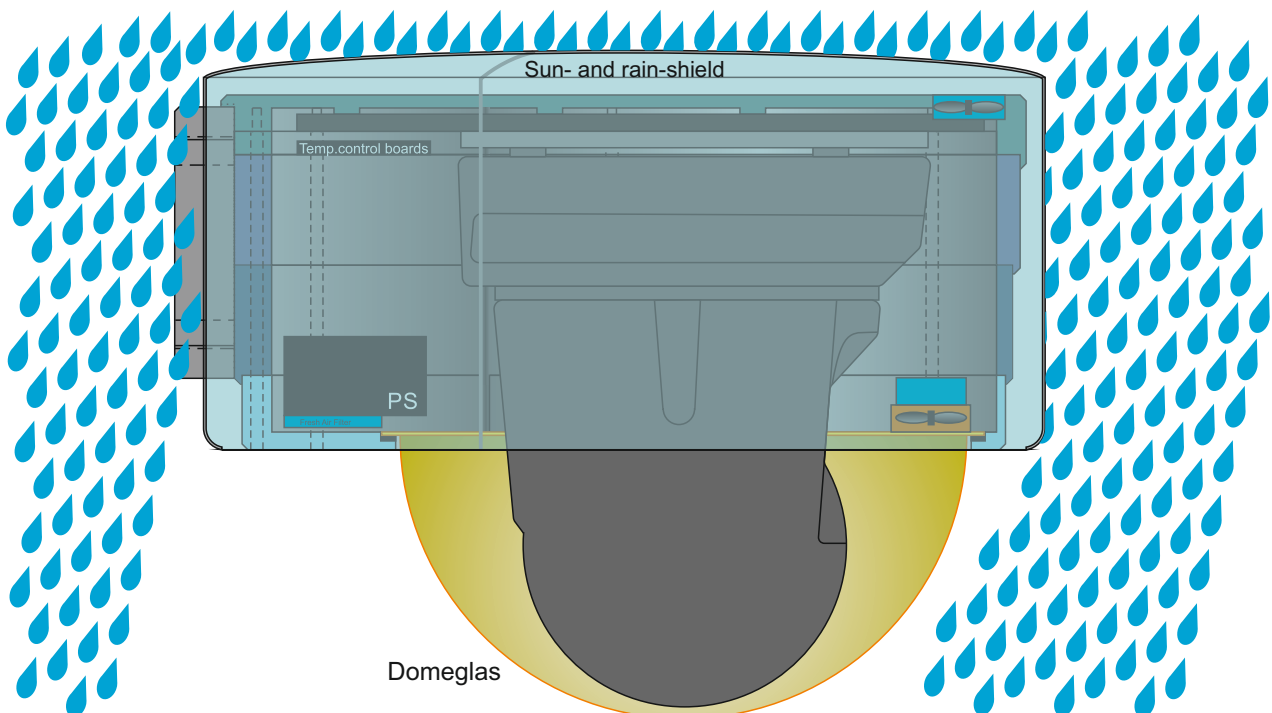
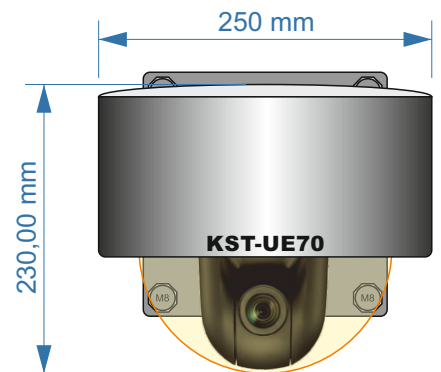
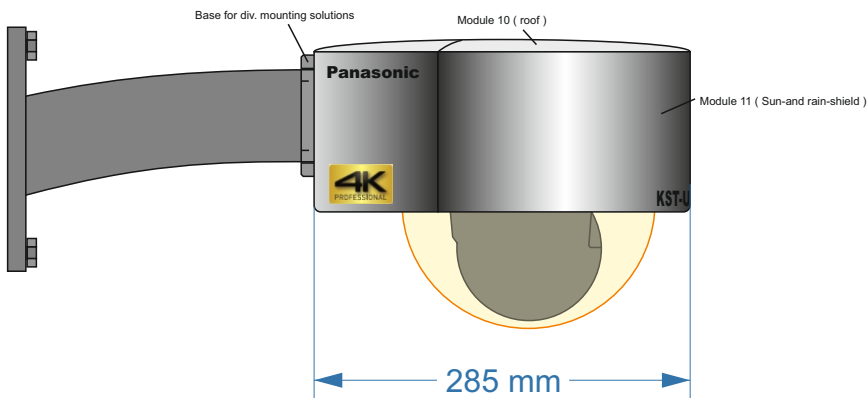
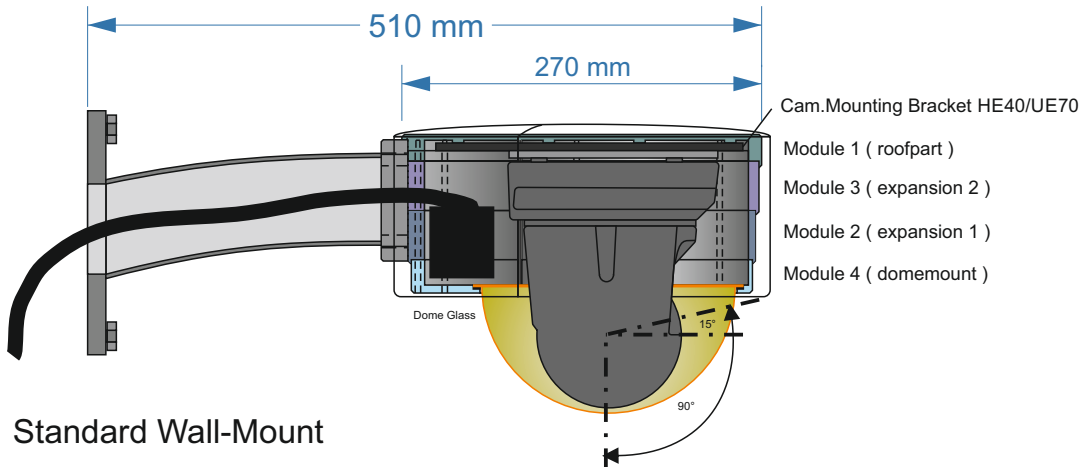
Ceiling-Mount DBH07

The ceiling mount DBH07, made of aluminum, can be mounted under eaves, canopies or similar horizontal mounting locations. It is an alternative to the standard wall mount DBH06. The connecting cables of the camera system are hidden and protected by the arm.

Load capacity up to 25kg

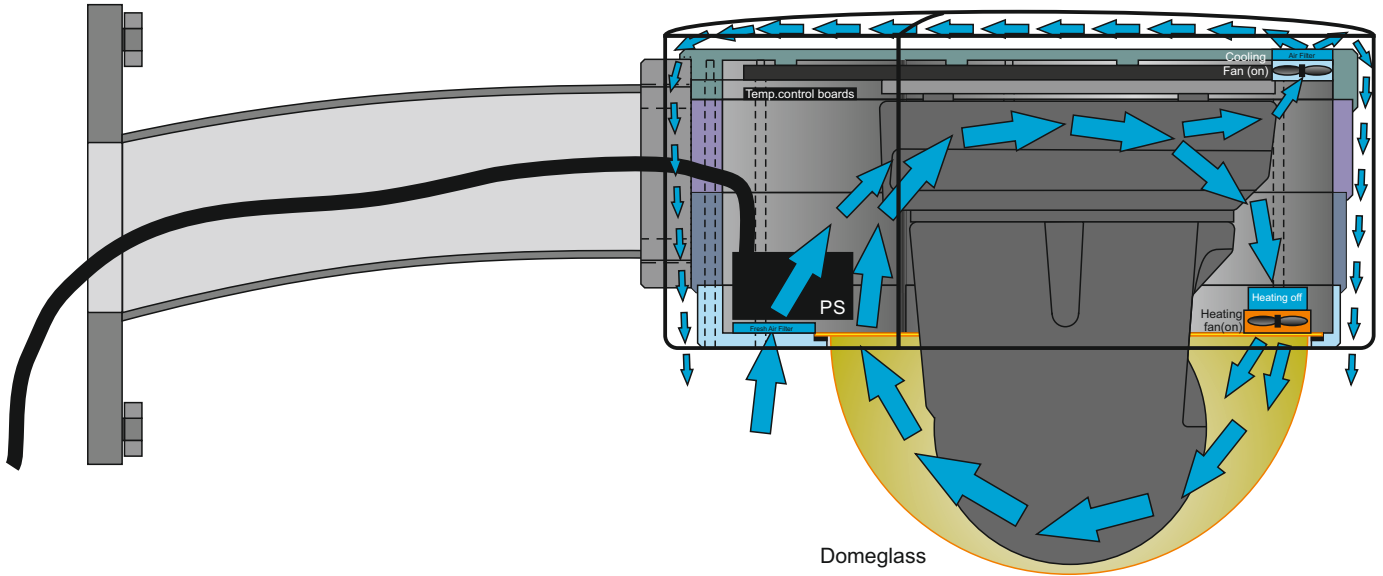


Technical views

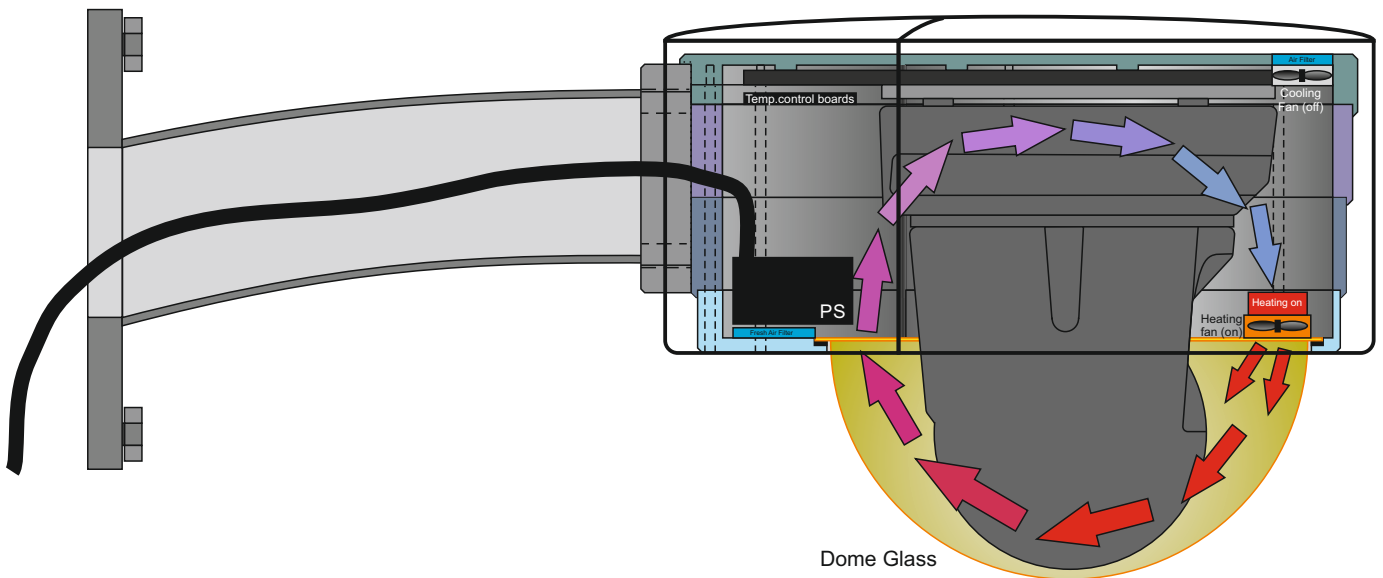


Ventilation principle

Cooling situation (starting ~21°C internal system temperature)



Heating situation (starting ~7°C internal system temperature)



2016	Name	Gez.	Blatt:	1 von 4	Ausf. Nr.:	Änderung / Ergänzung	Datum:	Gez.	Auftraggeber:
Gez.	Axel Moschkau	AMO	Maßst.:		1	Ersterstellung	13.04.16	AMO	KST Moschkau GmbH
Gepr.			Größe:	DIN A4	2				Zeichnungs Nr.:
Genehm.					3				Projekt Nr.:
Bezeichnung :					4				KOMMUNIKATIONS- UND SICHERUNGS-TECHNIK KST Am Burgholz 36 Tel: 02421/55890 52372 Kreuzau Fax: 02421/56086 Moschkau GmbH www.kst-moschkau.eu info@kst-moschkau.eu
Designsheet KST-UE70/HE40					5				
					6				
					7				
					8				
					9				
					10				